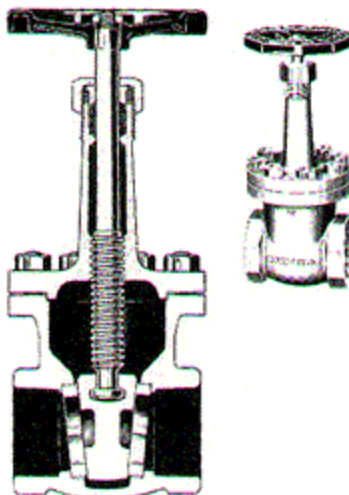


Rising stem
Solid wedge disc
Union bonnet 1/4"-2 inches
Fig 1962



Rising stem
Solid wedge disc
Bolted bonnet 2 1/2" and 3 inches
Fig 1962

Large sizes feature renewable nickel alloy discs and seats; smaller sizes have integral seats. Body design offers maximum resistance to distortion produced by internal pressure.

Bodies Full, cylindrical design for maximum strength, made of corrosion resistant Steam Bronze. Extra length pipe threads prevent pipe ends from jamming against seats.

Seats Two type available:
Renewable nickel alloy rings In 1 inch and larger sizes.

Integral seats In smaller sizes are precision tapered for accurate seating.

Discs Renewable nickel alloy.
Solid wedge Accurately machined with disc-wing guides that conduct the disc to a firm, tight seat.

Bonnets Two types available:
Union Bonnets Figure 1962, 1/4"-2" sizes, provide strong, safe reliable service in industrial use.

Bolted bonnets Figure 1962, 2 1/2" and 3" sizes, provide extra strength in larger sized valves.

Repacking Stuffing boxes are deep and valves are repackable under pressure when

wide open. Back seats above stem threads make scale formation unlikely and provide a tight seal.

Stems Resistant to wear, corrosion and embrittlement. Long, accurately machined threads provide full thread contact. Heavy, disc-stem connection withstands wearing action when opening valve and prevents stem failure under strain.

Hexagon head glands Permit the use of a light wrench to loosen and raise gland.

Non-slip handwheel Insures tight closing.

Dimensions in inches Weights in Pounds

Size	1/4	3/8	1/2	3/4	1	1 1/4	1 1/2	2	2 1/2	3
A	2 ⁵ / ₁₆	2 ⁷ / ₁₆	2 ³ / ₄	3 ¹ / ₁₆	3 ¹³ / ₁₆	4 ³ / ₁₆	9 ¹ / ₄	5 ¹ / ₈	5 ¹³ / ₁₆	6 ¹ / ₄
E	5 ⁹ / ₁₆	5 ⁹ / ₁₆	6 ¹³ / ₁₆	8	9 ¹ / ₄	10 ⁵ / ₈	12	14 ⁷ / ₁₆	16 ⁷ / ₁₆	18 ⁹ / ₁₆
F NRS	4 ³ / ₄	4 ³ / ₄	5 ¹ / ₄	6 ¹ / ₄	7 ¹ / ₂	8 ¹ / ₂	9 ¹ / ₂	10 ¹¹ / ₁₆	-	-
G	2 ¹ / ₂	2 ¹ / ₂	3	3 ¹ / ₂	4 ¹ / ₈	4 ⁵ / ₈	5 ¹ / ₈	6	7	8
B	-	-	-	-	-	-	-	-	6 ³ / ₄	7 ³ / ₈
Fig 1962 Wt	1.9	2.0	2.7	4.5	8.0	10.4	18.7	24.4	36.0	49.0



Principal Parts and Materials

Part	Fig/Sizes	Material	ASTM
Body & Bonnet		S-1 Steam Bronze	B61
Disc		Nickel Alloy NT-4	-
Stem		Stemalloy, Rod (C875700)	B584
Seat	≥ 1"	Nickel Alloy NT-4	-
Ring	< 1"	Bronze (Integral)	-
Packing	All	JC 168 Kevlar	-

These valves comply with ANSI B16.24 and MSS-SP-80

